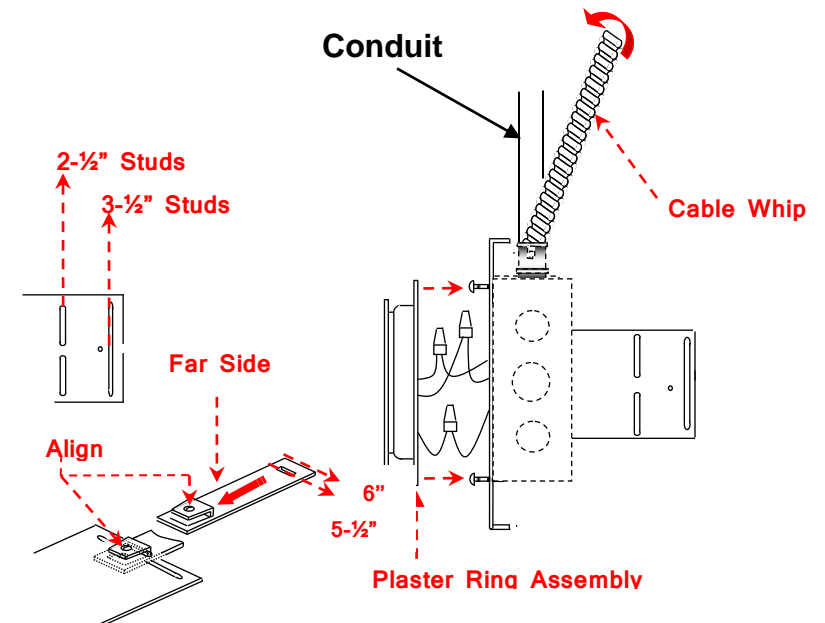
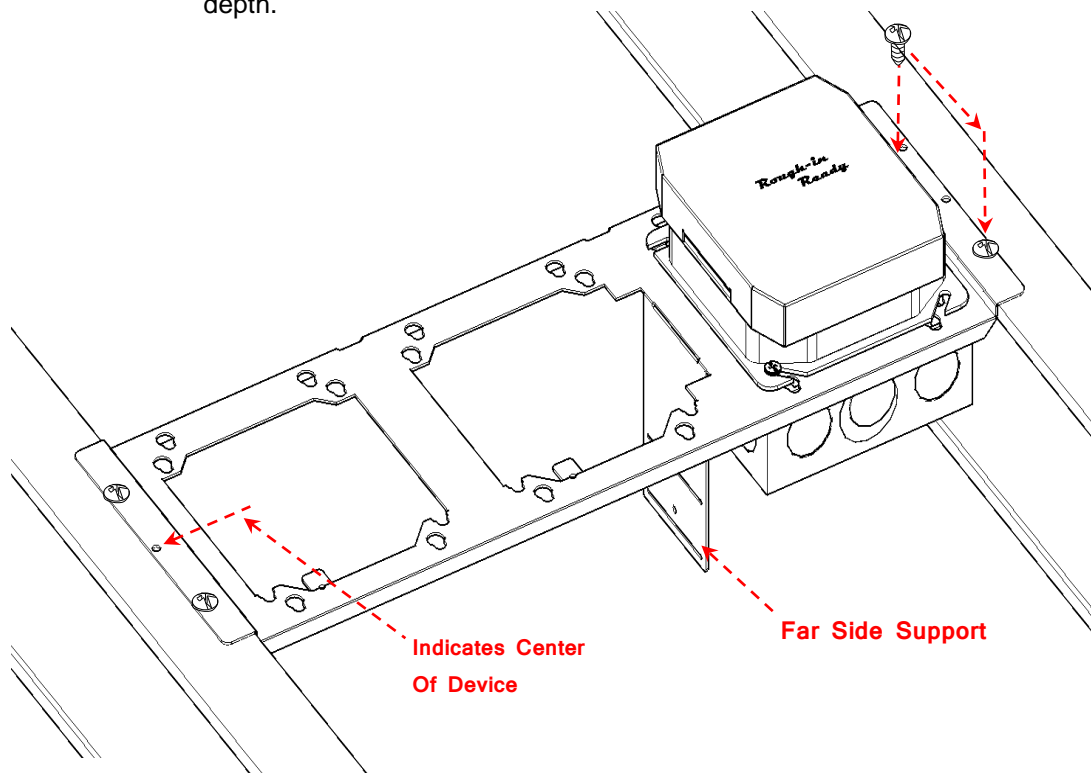
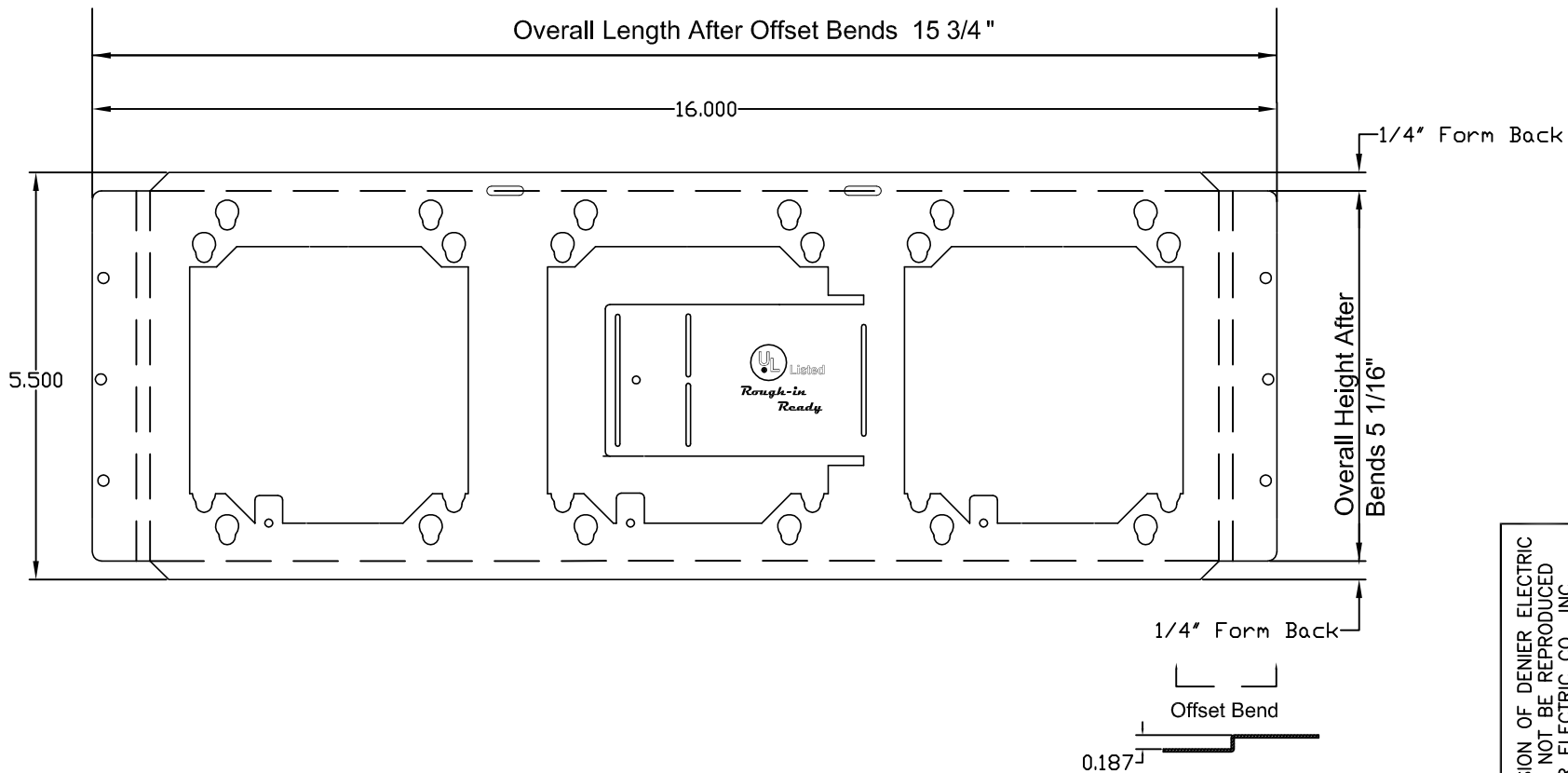


Attach The Support By Mounting Bracket Directly To Studs:

1. Bend the **Far Side Supports** at the provided slots for stud depth if needed.
2. For stud depths of 5-1/2" or 6" use the **Far Side Extension** (Ordered Separately). Slide the tab into the slot so that the small holes align. Secure with a small sheet metal screw. Bend at slot for 5-1/2" stud depth.
3. Place against the studs at the desired height and attach the bracket to the studs using the provided holes.
4. When terminating cable in this box, remove the **Plaster Ring Assembly** from the Support / Mounting Bracket. The box will remain attached to the bracket.
5. To install the AC-MC **Cable Whip** from the next Assembly remove the KO and snap the connector into the box.
6. Terminate the appropriate conductors to the device with Wagos (provided) and reattach the **Plaster Ring Assembly** to the mounted Support Bracket.





Material 20 Ga. Galv. = .0375
 TOLERANCE UNLESS OTHERWISE SPECIFIED
 XXX Decimal ± .005

© 2015 ROUGH-IN READY DIVISION OF DENIER ELECTRIC CO., INC. THIS DRAWING MAY NOT BE REPRODUCED WITHOUT CONSENT OF DENIER ELECTRIC CO., INC.

Project Title Support / Mounting Bracket 16"		Revisions:	Scale: None
		Date: 2/16/15	Drawn By: Don Zachary
Catalog Number: 3PC		Drawing Number: 1 Of 1 Sheets	
Job Number:			
DENIER MANUFACTURING 11425 Century Circle West Cincinnati, OH, 45246 dzachary@roughinready.com (513)-738-7537			