

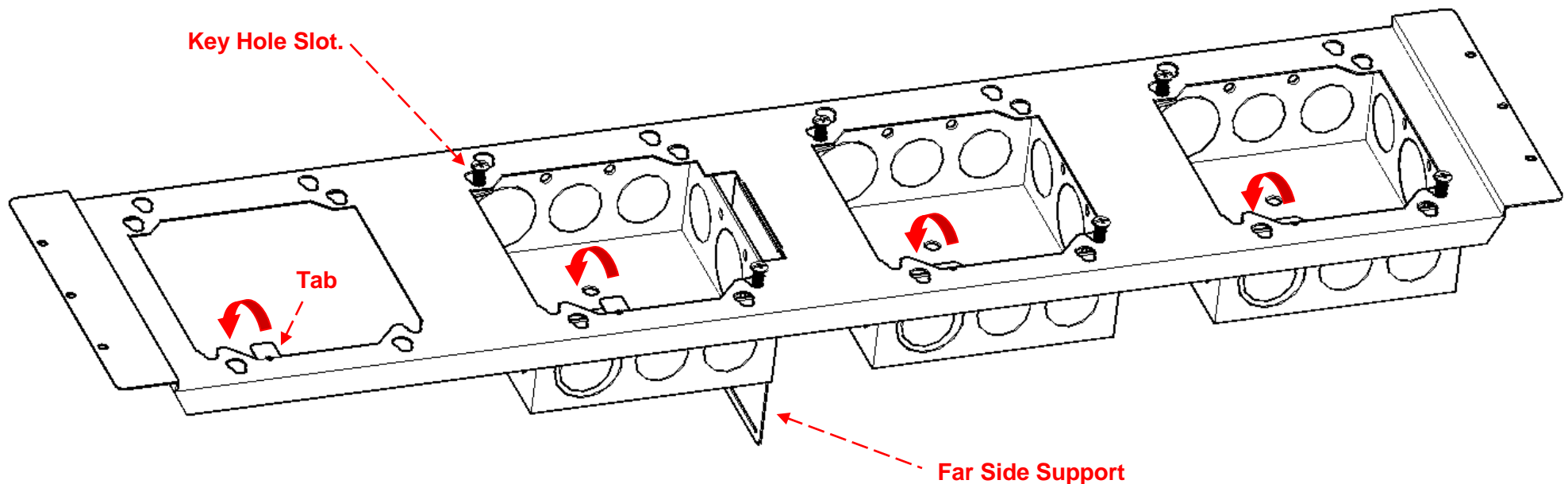


Support / Mounting Bracket 24" – Installation Notes For Mounting Boxes To A Bracket. Cat. # 4PC

A product of Denier Manufacturing. 10891 State Route 128 Harrison, Ohio 45030
1-800-286-9601 @ www.roughinready.com



1. Bend the **Far Side Supports** back at 90 Deg.
2. Insert screws from electric box in to **Key Hole Slots** in Universal Bracket.
3. Bend **Tab** down into box. This will lock the box screws into the **Key Slots**.





Support / Mounting Bracket 24" – Installation Notes

For Mounting Up To 4 Boxes To Studs. Cat. # 4PC

A product of Denier Manufacturing. 10891 State Route 128 Harrison, Ohio 45030
1-800-286-9601 @ www.roughinready.com



1. Bend the Far Side Supports at the provided slots for stud depth if needed.
2. For stud depths of 5-1/2" or 6" break out the Far Side Extension (Ordered Separately). Slide the tab into the slot so that the small holes align. Secure with a small sheet metal screw. Bend at slot for 5-1/2" stud depth.
3. Place against the studs at the desired height and attach the bracket to the studs using the provided holes.
4. When terminating cable in this box, remove the Plaster Ring Assembly from the Support / Mounting Bracket. The box will remain attached to the bracket.
5. To install the AC-MC Cable Whip from the next Assembly remove the KO and snap the connector into the box.
6. Terminate the appropriate conductors to the device with Wagos (provided) and reattach the Plaster Ring Assembly to the mounted Support Bracket.

