



# Deck Hanger - Installation Notes

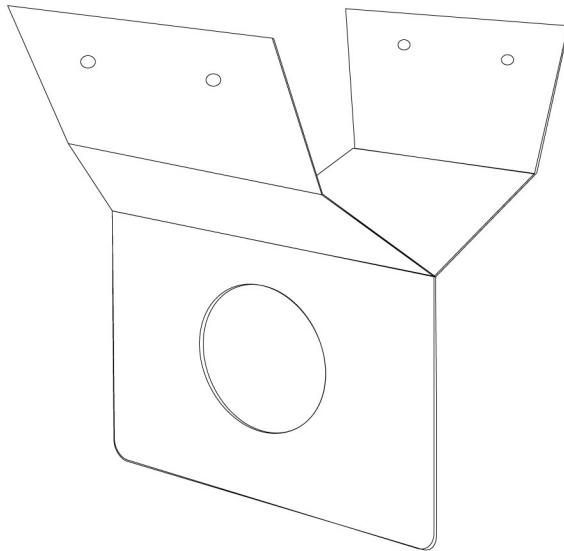
Catalog Number: DH

A product of Denier Manufacturing • P.O. Box 308 • Ross, Ohio 45061 • 800-286-9601

1. Mount Deck Hanger to roof decking.

2. The Deck Hanger can be used to mount just about anything that you need to suspend from the roof decking.

Allowable Hanger Loads				
Fastener		Quantity of Screws	Deck hanger thickness	
Diameter	Point		22 gauge	20 gauge
#8	2	4	239.6 lbs	278.5
#10	1	4	281.6 lbs	333.2
#12	1	4	308.8 lbs	367.5



## Deck Mounting

