



Denier Manufacturing

Universal Mounting Bracket – Installation Notes For Mounting A Box To A Bracket. Cat. # SBRNR

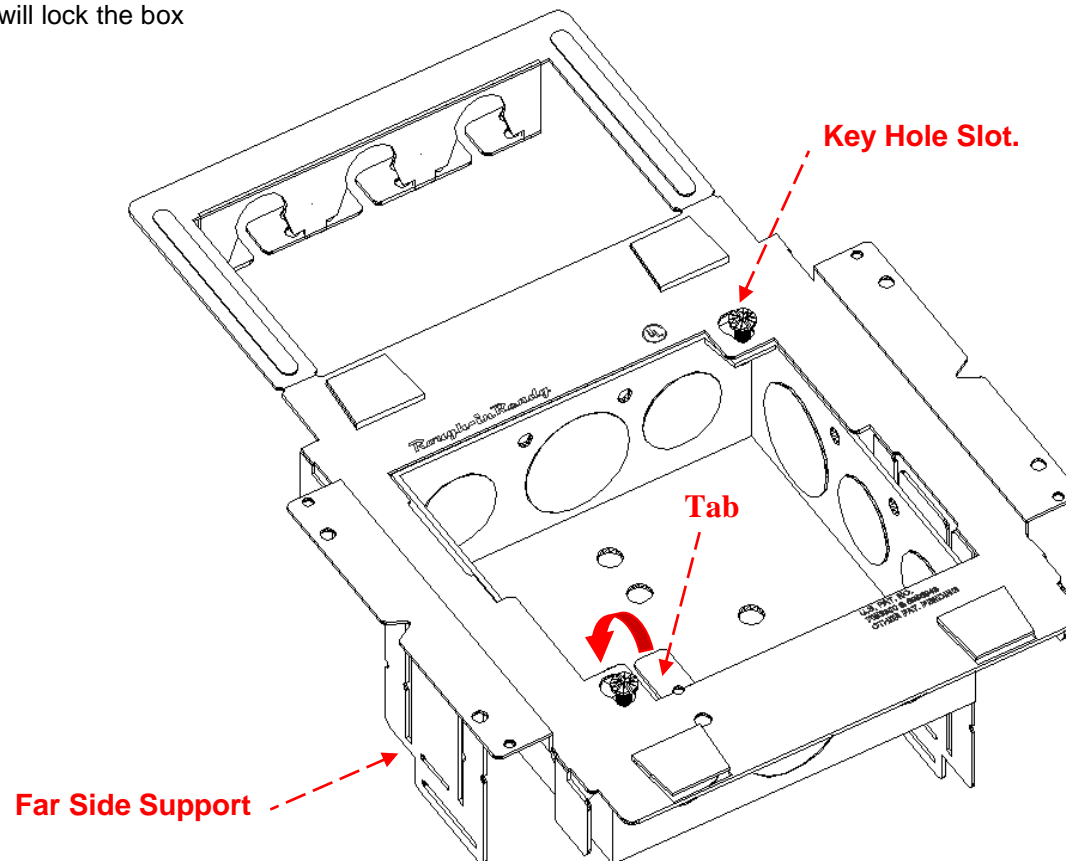
A product of Denier Manufacturing. 10891 State Route 128 Harrison, Ohio 45030
1-800-286-9601 @ www.roughinready.com

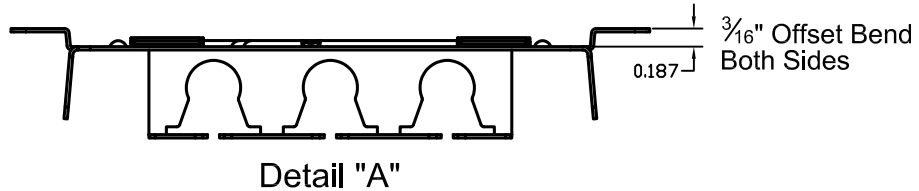
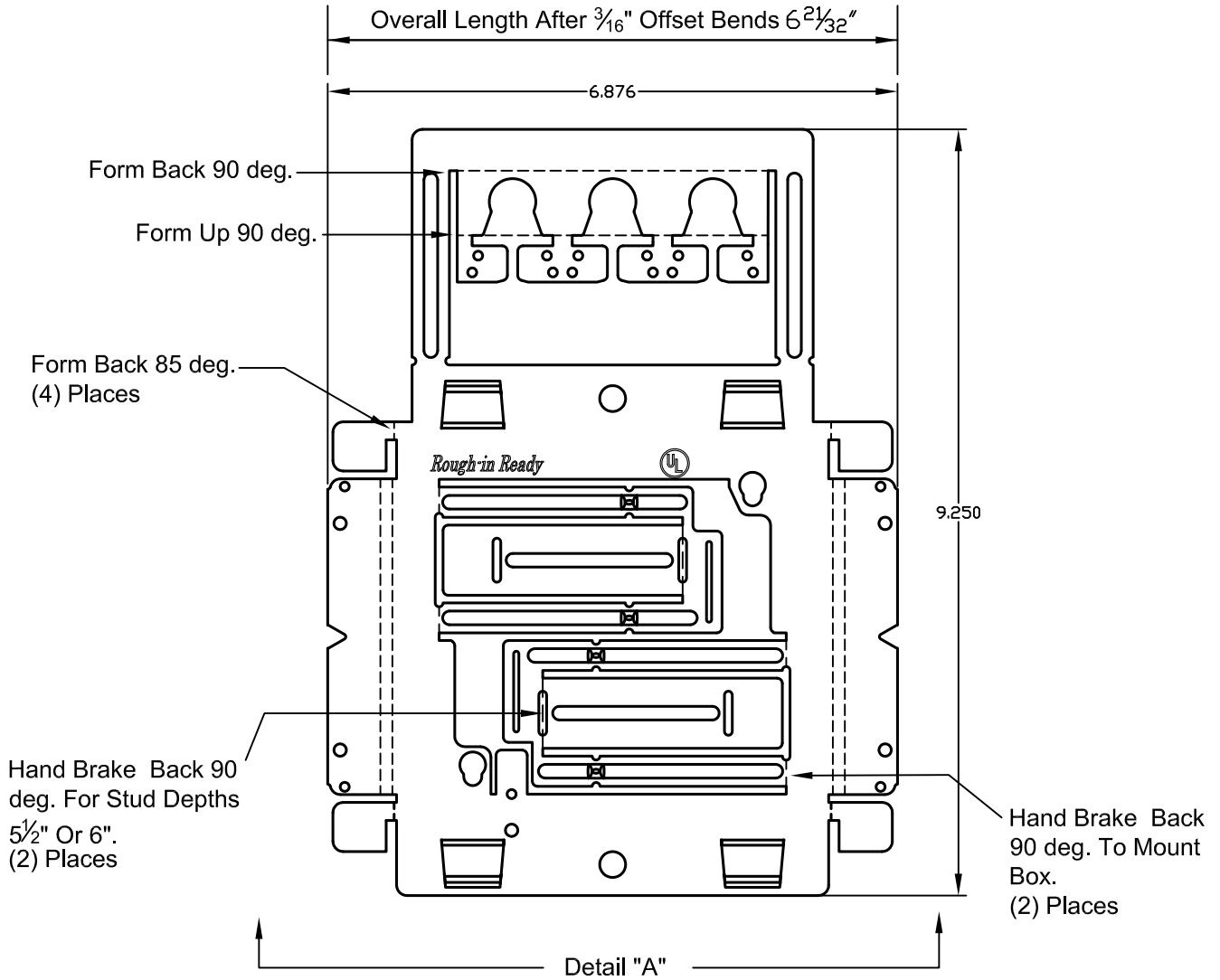


LISTED

(UL RRX)

1. Bend the **Far Side Supports** back at 90 Deg.
2. Insert screws from electric box in to **Key Hole Slots** in Universal Bracket.
3. Bend **Tab** down into box. This will lock the box screws into the **Key Slots**.





Note: Raco Stamped Part
 Material 20 Ga. Galv. = .038
TOLERANCE UNLESS OTHERWISE SPECIFIED
 XXX Decimal ± .005

© 2008 ROUGH-IN READY DIVISION OF DENIER ELECTRIC CO., INC. THIS DRAWING MAY NOT BE REPRODUCED WITHOUT CONSENT OF DENIER ELECTRIC CO., INC.

Job Number:	1 Of 2 Sheets	Drawing Number:	Project Title		Revisions:	Scale: None	 DENIER MANUFACTURING 11425 Century Circle West Cincinnati, OH. 45246 dzachary@roughinready.com (513)-717-6214
			Universal Mounting Bracket			Date: 10/15/08	
			Catalog Number: SBRNR (UL RRX)			Drawn By: Don Zachary	

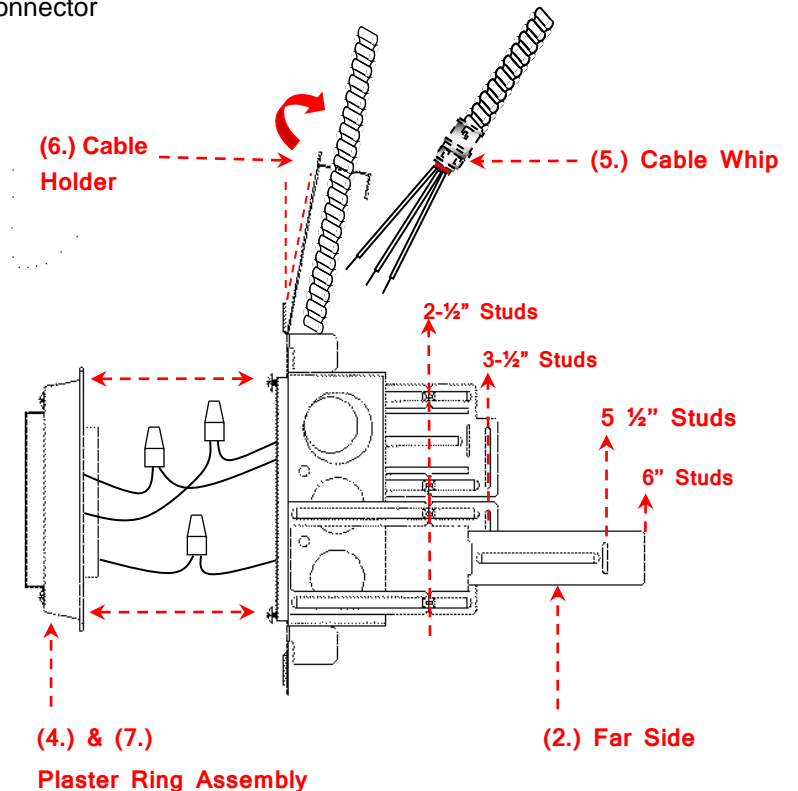
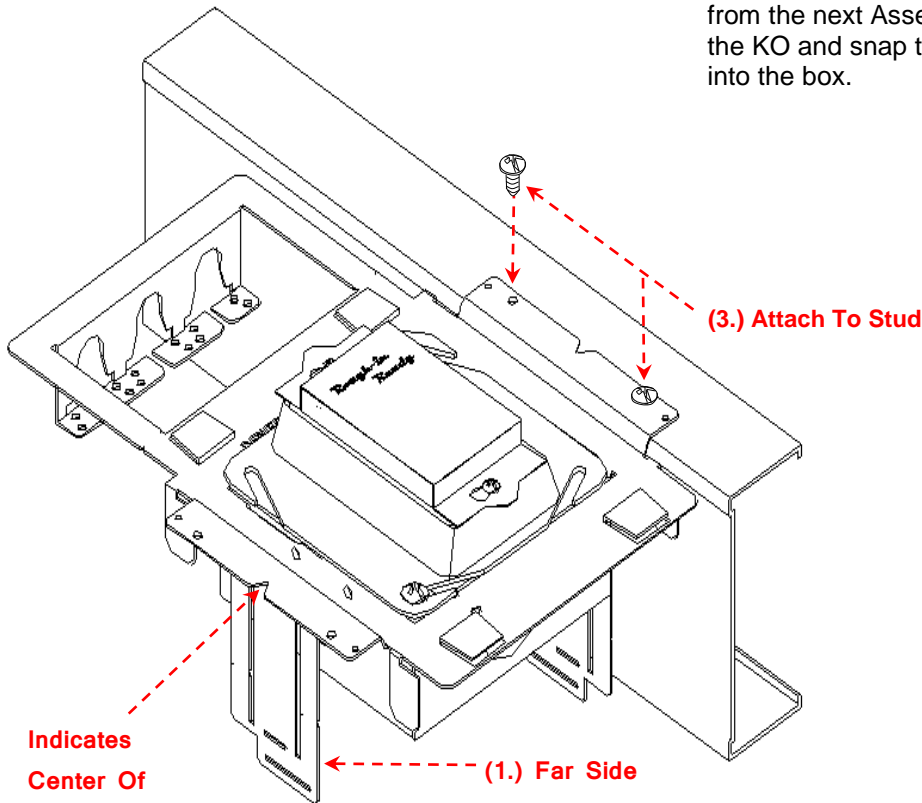


Universal Mounting Bracket – Installation Notes For Mounting A Device To A Stud. Cat. # SBRNR

A product of Denier Manufacturing. 10891 State Route 128 Harrison, Ohio 45030
1-800-286-9601 @ www.roughinready.com



1. Bend the **Far Side Supports** at the provided slots for stud depth if needed.
2. For stud depths of 5-1/2" or 6" bend the **Far Side Extensions 180deg.** Bend at slot for 5-1/2" stud depth.
3. Place against the stud at the desired height and attach the bracket to the stud using the provided holes.
4. When terminating another cable in this box, remove the **Plaster Ring Assembly** from the mounted Universal Bracket. The box will remain attached to the bracket.
5. To install the AC-MC **Cable Whip** from the next Assembly remove the KO and snap the connector into the box.
6. Adjust the **Cable Holder** to the desired angle to install the AC-MC cable per National Electrical Code section 300.4(D). To attach the AC-MC cable, push the cable into the holder until it snaps in.
7. Terminate the appropriate conductors to the device with Wagos (provided) and reattach the **Plaster Ring Assembly** to the mounted Universal Bracket.



Universal Mounting Bracket – Installation Notes For Dimensioned Device Mounting With Spanner Bar Accessory.

A product of Denier Manufacturing 10891 State Route 128 Harrison, Ohio 45030
1-800-286-9601 @ www.roughinready.com



1. Bend the **Far Side Supports** at the provided slots for stud depth if needed.
2. For stud depths of 5-1/2" or 6" bend the **Far Side Extensions 180deg.** Bend at slot for 5-1/2" stud depth.
3. Using the **Spanner Bars** (provided), attach the lower bar across the studs at 3" below the desired device height. Mount the Universal Bracket onto the Spanner Bar using the lower tabs. Then secure with a sheet metal screw.
4. Install the upper **Spanner Bar** into the upper tabs then secure the bars and bracket with sheet metal screw.
5. When terminating another cable into this box, remove the **Plaster Ring Assembly** from the mounted Universal Bracket. Box will remain attached to the bracket.
6. To install the AC-MC **Cable Whip** from the next Assembly remove the KO and snap the connector into the box.
7. Adjust the **Cable Holder** to desired angle to install the AC-MC cable per National Electrical Code section 300.4(D). To attach the AC-MC cable, push cable into holder until cable snaps in.
8. Terminate the appropriate conductors to the device with Wagos (provided) and reattach the **Plaster Ring Assembly** to the mounted Universal Bracket.

